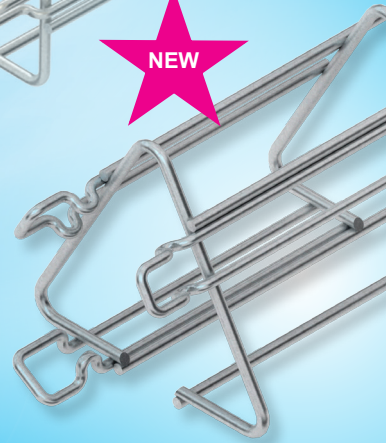
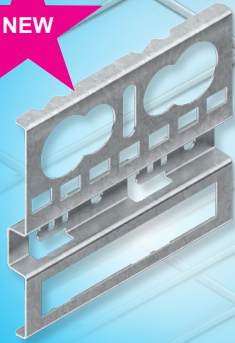


NX CITO LINE



MTC WIRE MESH TRAYS
AND ACCESSORIES

ICONS

	New		Siderail height in mm		Operating temperature range		Reference note
	Discontinued model		Wire diameter in mm		Fast install		Information pages
	Halogen-free		Cover hole and depth in mm		Hardware		
	Silicone-free		Pipe diameter in mm		Installation instructions		

All products in this catalog are classified according to the EAN code (13 digits). The first 7 digits indicate the country (40 = Germany) and the manufacturer's code (13339 = Niedax). The following six digits are the product code. Example EAN code of the product TK = 40 60.85 13339 183708.



Please ask for the certifications VDE/UL



All products are CE compliant



BIM-Data on request

Steel

- B** Steel, bare
- V** Steel, electro galvanised according to DIN EN ISO 50 961/50979 and DIN EN ISO 2081, blue passivated, (Replacement galvanised according to DIN EN ISO 4042)
- VC** Steel, electro galvanised according to DIN 50961/50979 and DIN EN ISO 2081, blue passivated and powdercoated
- vzL** Steel, electro galvanised according to DIN EN ISO 2081, blue passivated, top layer sealed
- G** Steel, electro galvanised according to DIN EN ISO 50 961/50979 and DIN EN ISO 2081, passivated, (Replacement galvanised according to DIN EN ISO 4042)
- S** Steel, pre-galvanised according to DIN EN 10346
- F** Steel, hot dip galvanised after fabrication (HDGAF) according to DIN EN ISO 1461 (Replacement according to DIN EN ISO 50 976)
- SB** Steel, black-oxide finish
- FG** Steel, geomet® galvanised
- DV** Steel, wire galvanised according to DIN EN 10244
- C1** Epoxy Coating, halogen-free
- C** COLOR Steel, pre-galvanised and powdercoated

C	STANDARD COLOURS				SURFACE IN ALUMINIUM	
	R	W	L	WA	N	P
Complete model-No. for the colour identity	white RAL 9010	creme white RAL 9001	light grey RAL 7035	white aluminium RAL 9006	aluminium natural anodised	aluminium plate-finished

Other RAL colours on requests. For possible colour divergences we assume no liability.

- F1** Steel, zinc coating and chromate
Steel, zinc coating & chromate. Thickness of zinc is between 8-12 microns, electrolytic galvanizing & additionally chromated. Corrosion resistance measured by using a salt spray test according to DIN 50021 (ASTM-B117-90) at least 72 hours.
- F2** Steel, hot dip galvanised
Thickness of zinc between 50-70 microns, after immersion machining in a bath of molten zinc.
- F3** Stainless steel (material code: 1.4401 [316])
Indoor use / Outdoor in humid environments and moderately aggressive.
- F4** Steel, coated
Dekor-lacquer interior use in dry environments and not corrosive.
- F5** Brass
For indoor use only.
- F6** Natural colour
Untreated material against corrosion.
- F7** Steel, plastic coating
EVA (Ethylene Vinyl Acetate Copolymer Saponifies, Levasint®) resistance to fire according to DIN 4102.
- F8** Steel, mechanical zinc plated / passivated
High quality coating. Corrosion resistance measured by means of a test salt spray according to DIN 50 021 (ASTM-B117-90) is at least 500 hours.
- F9** Steel, mechanical zinc plated / passivated
High quality coating. Corrosion resistance measured by means of a test salt spray according to DIN 50021 (ASTM-B117-90) is at least 600 hours.
- F10** Steel, electrical mechanical / passivated
Zinc coating thickness of 5 microns, electrolytically applied and clear passivated according to BS EN 12329 2000 FE/Zn5//A.

AL Aluminium, N = naturally anodised, P = mill-finished, C = powdercoated in RAL colours

P Electrotechnical Porcelain, halogen-free

MS Brass

CU Copper

Stainless Steel

- E1** Material code: 1.4016
- E2** Material code: 1.4310
- E3** Material code: 1.4301, 1.4303
- E4** Material code: 1.4401, 1.4404
- E5** Material code: 1.4571
- E6** Material code: 1.4529
- E7** Material code: 1.4547
- E8** Material code: 1.4430
- E9** Material code: 1.4362
- E10** Material code: 1.4307
- E11** Material code: 1.4034

Plastics/Elastomer

- K01** PA - Polyamide, halogen-free
- K02** PS - Polystyrene, halogen-free, impact resistant
- K03** PE - Polyethylene, halogen-free
- K04** PP - Polypropylene, halogen-free
- K05** PC - Polycarbonate, halogen-free
- K06** SBR/NBR - Styrene Butadiene Nitrile Rubber, halogen-free
- K07** CR - Neoprene (Chloroprene Rubber), halogenated
- K08** NBR - Nitrile Butadiene Rubber, halogen-free
- K09** PVC hard - Polyvinyl Chloride Hard, halogenated
- K10** PVC - Polyvinyl Chloride Soft, halogenated
- K11** ABS - Acrylnitrile Butadiene Styrene, halogen-free
- K12** ASA - Acrylic Acid Ester-Styrene-Acrylonitrile, halogen-free
- K14** POM - Polyoxymethylene, halogen-free
- K15** SBR - Styrene Butadiene Rubber, halogen-free
- K16** CR/NBR - Chloroprene/Nitrile Butadiene Rubber, halogenated
- K17** CR/SBR - Chloroprene/Styrene Butadiene Rubber, halogenated
- K18** TPE - Thermoplastic Elastomers, halogen-free
- K19** FS 31 - Phenolic Resin, halogen-free
- K20** SI - Silicone Rubber, halogen-free
- K21** PUR - Polyurethanes, halogen-free
- K22** PET - Polyethylene Terephthalate, halogen-free
- K23** UP-GF - Glass Fiber Reinforced Polyester, halogen-free
- K24** PBT - Polybutylene Terephthalate, halogen-free

Fast and quickly installed

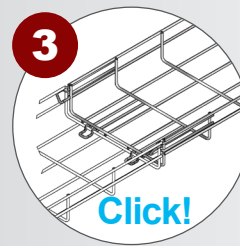
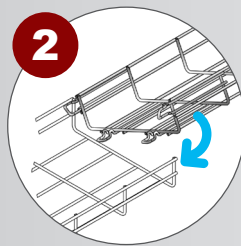
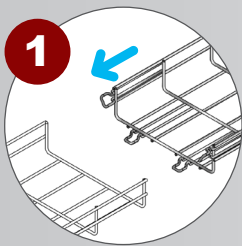
MTC ^{NX}CITO Wire Mesh Tray


- ➔ **Easy Handling:**
^{NX}CITO wire mesh tray can be installed smoothly and quickly even in confined spaces.
- ➔ **No need for bolts and splices:**
^{NX}CITO wire mesh trays are connected with a patented snap lock mechanism that ensures the same load rating as bolted splices.
- ➔ ^{NX}CITO Wire Mesh Tray is fully compatible with all existing accessories.
Grounding lugs, mounting plates for junction boxes ...


Niedax is providing a complete wire mesh tray system primarily for industrial applications. Stainless steel versions are used in food & beverage processing as well as in chemical industry applications.


The wire mesh tray is of sound construction and designed for heavy loads due to wire diameters of up to 5 mm. Boltless accessories allow fast and easy installation.

ONE CLICK - FINISHED!



 Width 100-400 mm suitable for functional maintenance, please refer to the general building authority test certificate.

 UL-certified products available on request.

 VDE-tested to DIN EN 61537

Suitable for
**functional
maintenance**

WIRE MESH TRAY SYSTEM

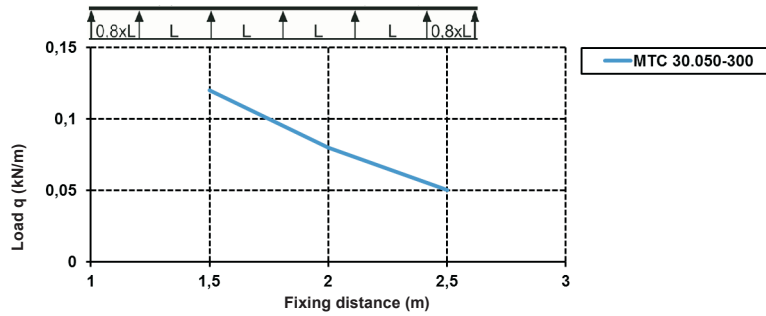
Wire Mesh Tray

U-shaped, spot-welded from steel wires, with welded connector

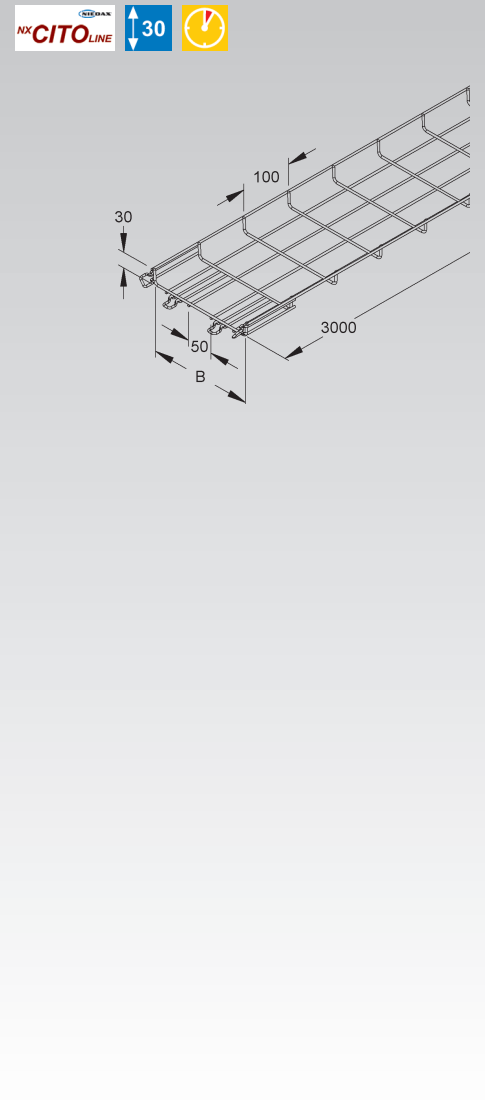
	Model No.	Width inside B	Steel wire-Ø lengthwise	Steel wire-Ø crosswise	EAN code	Weight in kg per 100 m	Smallest packaging unit
		mm	mm	mm			
V	MTC 30.050 V	50	3,9	3,9	711215	39,87	3 m
V	MTC 30.100 V	100	3,9	3,9	711222	53,84	3 m
V	MTC 30.150 V	150	3,9	3,9	711239	67,75	3 m
V	MTC 30.200 V	200	3,9	3,9	711246	82,43	3 m
V	MTC 30.300 V	300	3,9	3,9	711253	110,43	3 m
F	MTC 30.050 F	50	3,9	3,9	712014	43,85	3 m
F	MTC 30.100 F	100	3,9	3,9	712021	59,23	3 m
F	MTC 30.150 F	150	3,9	3,9	712038	74,53	3 m
F	MTC 30.200 F	200	3,9	3,9	712045	90,67	3 m
F	MTC 30.300 F	300	3,9	3,9	712052	121,47	3 m
E3	MTC 30.050 E3	50	3,9	3,9	713011	40,12	3 m
E3	MTC 30.100 E3	100	3,9	3,9	713028	54,19	3 m
E3	MTC 30.150 E3	150	3,9	3,9	713035	68,18	3 m
E3	MTC 30.200 E3	200	3,9	3,9	713059	82,96	3 m
E3	MTC 30.300 E3	300	3,9	3,9	713066	111,13	3 m
E4	MTC 30.050 E4	50	3,9	3,9	714018	40,53	3 m
E4	MTC 30.100 E4	100	3,9	3,9	714025	54,73	3 m
E4	MTC 30.150 E4	150	3,9	3,9	714032	68,87	3 m
E4	MTC 30.200 E4	200	3,9	3,9	714049	83,80	3 m
E4	MTC 30.300 E4	300	3,9	3,9	714056	112,25	3 m

Wire mesh tray MTC 30 ... E4 on request

Load diagram: q = evenly distributed cable load (tested acc. to DIN EN IEC 61537)



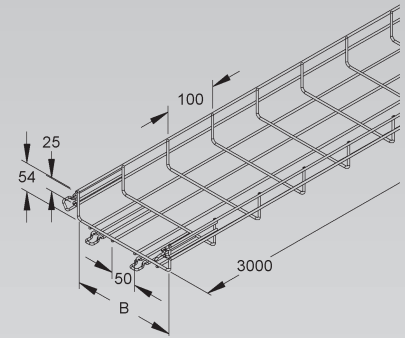
Specified load ratings are independent of splice plate location.



Wire Mesh Tray

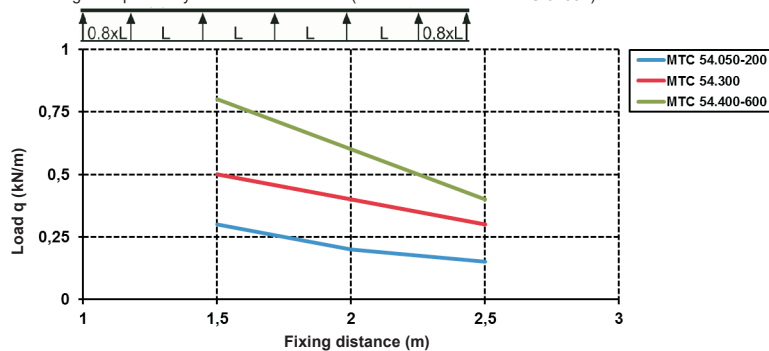
U-shaped, spot-welded from steel wires, with welded connector

	Model No.	Width inside B	Steel wire-Ø lengthwise	Steel wire-Ø crosswise	EAN code	Weight in kg per 100 m/	Smallest packaging unit
		mm	mm	mm			
V	MTC 54.050 V	50	3,90	3,90	711260	62,98	3 m
V	MTC 54.100 V	100	3,90	3,90	711277	76,66	3 m
V	MTC 54.150 V	150	3,90	3,90	711284	89,91	3 m
V	MTC 54.200 V	200	3,90	3,90	711291	104,16	3 m
V	MTC 54.300 V	300	4,82	4,82	711314	202,94	3 m
V	MTC 54.400 V	400	4,82	5,82	711321	283,58	3 m
V	MTC 54.450 V	450	4,82	5,82	187522	313,33	3 m
V	MTC 54.500 V	500	4,82	5,82	711338	333,23	3 m
V	MTC 54.600 V	600	4,82	5,82	711345	382,80	3 m
F	MTC 54.050 F	50	3,90	3,90	712069	68,94	3 m
F	MTC 54.100 F	100	3,90	3,90	712076	84,33	3 m
F	MTC 54.150 F	150	3,90	3,90	712083	98,90	3 m
F	MTC 54.200 F	200	3,90	3,90	712090	114,58	3 m
F	MTC 54.300 F	300	4,82	4,82	712113	223,24	3 m
F	MTC 54.400 F	400	4,82	5,82	712120	311,94	3 m
F	MTC 54.450 F	450	4,82	5,82	187515	344,67	3 m
F	MTC 54.500 F	500	4,82	5,82	712137	366,55	3 m
F	MTC 54.600 F	600	4,82	5,82	712144	421,08	3 m
E3	MTC 54.050 E3	50	3,90	3,90	713073	63,38	3 m
E3	MTC 54.100 E3	100	3,90	3,90	713080	77,15	3 m
E3	MTC 54.150 E3	150	3,90	3,90	713097	90,48	3 m
E3	MTC 54.200 E3	200	3,90	3,90	713110	104,83	3 m
E3	MTC 54.300 E3	300	4,82	4,82	713134	204,24	3 m
E3	MTC 54.400 E3	400	4,82	5,82	713165	285,39	3 m
E3	MTC 54.500 E3	500	4,82	5,82	713189	335,35	3 m
E3	MTC 54.600 E3	600	4,82	5,82	713219	385,24	3 m
E4	MTC 54.050 E4	50	3,90	3,90	714063	64,02	3 m
E4	MTC 54.100 E4	100	3,90	3,90	714070	77,93	3 m
E4	MTC 54.150 E4	150	3,90	3,90	714087	91,40	3 m
E4	MTC 54.200 E4	200	3,90	3,90	714094	105,89	3 m
E4	MTC 54.300 E4	300	4,82	4,82	714117	206,30	3 m
E4	MTC 54.400 E4	400	4,82	5,82	714124	288,28	3 m
E4	MTC 54.500 E4	500	4,82	5,82	714131	338,75	3 m
E4	MTC 54.600 E4	600	4,82	5,82	714148	389,14	3 m



Wire mesh tray MTC 54 ... E4 on request

Load diagram: q = evenly distributed cable load (tested acc. to DIN EN IEC 61537)



Specified load ratings are independent of splice plate location.

WIRE MESH TRAY SYSTEM

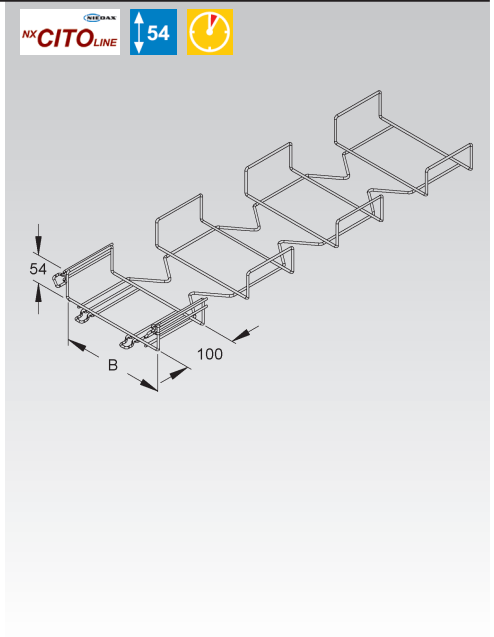
Elbow 90°, adjustable

U-shaped, spot-welded from steel wires, with welded-on connector

Model No.	Width inside B mm	EAN code	Weight in kg per 100 pc.	Smallest packaging unit
V MTCE 54.100 V	100	711512	30,55	1 pc.
V MTCE 54.150 V	150	711536	34,76	1 pc.
V MTCE 54.200 V	200	711550	54,45	1 pc.
V MTCE 54.300 V	300	711574	106,80	1 pc.
F MTCE 54.100 F	100	712311	33,61	1 pc.
F MTCE 54.150 F	150	712335	38,24	1 pc.
F MTCE 54.200 F	200	712359	59,90	1 pc.
F MTCE 54.300 F	300	712373	117,48	1 pc.
E3 MTCE 54.100 E3	100	713424	30,75	1 pc.
E3 MTCE 54.150 E3	150	713431	34,98	1 pc.
E3 MTCE 54.200 E3	200	713455	54,80	1 pc.
E3 MTCE 54.300 E3	300	713462	107,48	1 pc.
E4 MTCE 54.100 E4	100	714315	31,06	1 pc.
E4 MTCE 54.150 E4	150	714322	35,34	1 pc.
E4 MTCE 54.200 E4	200	714339	55,35	1 pc.
E4 MTCE 54.300 E4	300	714346	108,57	1 pc.

Used for: wire mesh tray MTC 54...

Elbow 90° MTCE 54 ... E4 on request



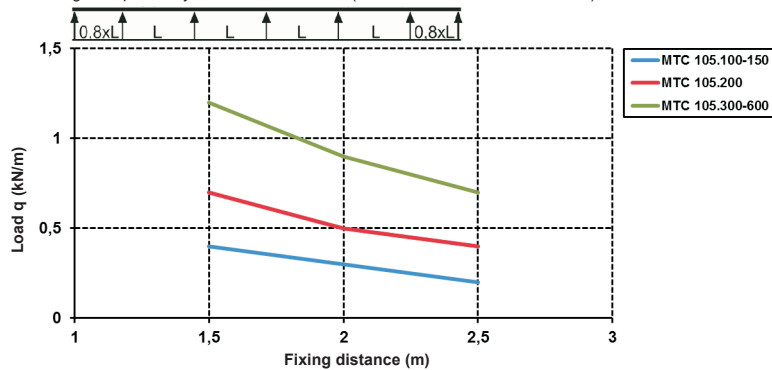
Wire Mesh Tray

U-shaped, spot-welded from steel wires, with welded connector

Model No.	Width inside B	Steel wire-Ø lengthwise	Steel wire-Ø crosswise	EAN code	Weight in kg per 100 m/	Smallest packaging unit
	mm	mm	mm			
V MTC 105.100 V	100	3,90	3,90	711352	104,37	3 m
V MTC 105.150 V	150	3,90	3,90	711369	117,61	3 m
V MTC 105.200 V	200	4,82	4,82	711376	203,45	3 m
V MTC 105.300 V	300	4,82	5,82	711383	280,79	3 m
V MTC 105.400 V	400	4,82	5,82	711390	325,95	3 m
V MTC 105.450 V	450	4,82	5,82	187492	363,33	3 m
V MTC 105.500 V	500	4,82	5,82	711413	373,30	3 m
V MTC 105.600 V	600	4,82	5,82	711420	421,64	3 m
F MTC 105.100 F	100	3,90	3,90	712151	114,80	3 m
F MTC 105.150 F	150	3,90	3,90	712168	129,37	3 m
F MTC 105.200 F	200	4,82	4,82	712175	223,80	3 m
F MTC 105.300 F	300	4,82	5,82	712182	308,86	3 m
F MTC 105.400 F	400	4,82	5,82	712199	358,55	3 m
F MTC 105.450 F	450	4,82	5,82	187485	399,67	3 m
F MTC 105.500 F	500	4,82	5,82	712212	410,63	3 m
F MTC 105.600 F	600	4,82	5,82	712229	463,81	3 m
E3 MTC 105.100 E3	100	3,90	3,90	713233	105,03	3 m
E3 MTC 105.150 E3	150	3,90	3,90	713264	118,36	3 m
E3 MTC 105.200 E3	200	4,82	4,82	713288	204,75	3 m
E3 MTC 105.300 E3	300	4,82	5,82	713318	282,57	3 m
E3 MTC 105.400 E3	400	4,82	5,82	713325	328,03	3 m
E3 MTC 105.500 E3	500	4,82	5,82	713332	375,68	3 m
E3 MTC 105.600 E3	600	4,82	5,82	713349	424,33	3 m
E4 MTC 105.100 E4	100	3,90	3,90	714155	106,10	3 m
E4 MTC 105.150 E4	150	3,90	3,90	714162	119,56	3 m
E4 MTC 105.200 E4	200	4,82	4,82	714179	206,82	3 m
E4 MTC 105.300 E4	300	4,82	5,82	714186	285,44	3 m
E4 MTC 105.400 E4	400	4,82	5,82	714193	331,35	3 m
E4 MTC 105.500 E4	500	4,82	5,82	714216	379,49	3 m
E4 MTC 105.600 E4	600	4,82	5,82	714223	428,63	3 m

Wire mesh tray MTC 105 ... E4 on request

Load diagram: q = evenly distributed cable load (tested acc. to DIN EN IEC 61537)

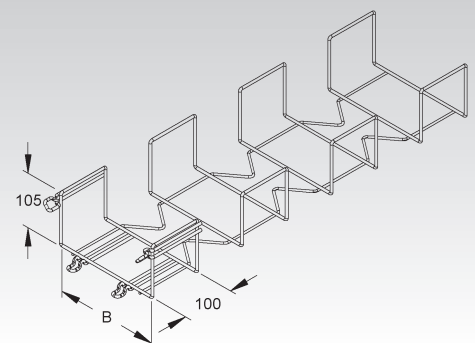
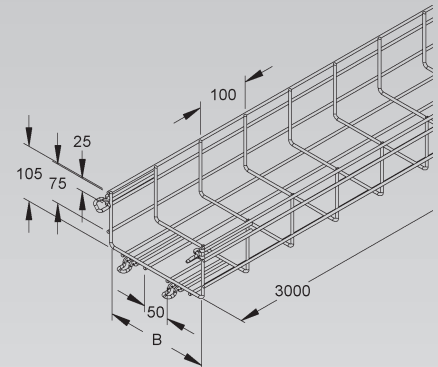


Elbow 90°, adjustable

U-shaped, spot-welded from steel wires, with welded-on connector

Model No.	Width inside B	EAN code	Weight in kg per 100	Smallest packaging unit
	mm			
★ V MTCE 105.100 V	100	711710	38,40	1 pc.
★ V MTCE 105.150 V	150	711727	42,60	1 pc.
★ V MTCE 105.200 V	200	711734	93,90	1 pc.
★ V MTCE 105.300 V	300	711741	154,30	1 pc.
★ F MTCE 105.100 F	100	712717	42,24	1 pc.
★ F MTCE 105.150 F	150	712731	46,86	1 pc.
★ F MTCE 105.200 F	200	712755	103,29	1 pc.
★ F MTCE 105.300 F	300	712779	169,73	1 pc.

Used for: wire mesh tray MTC 105...

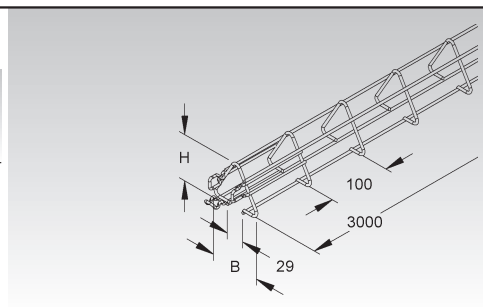


WIRE MESH TRAY SYSTEM

Wire Mesh Tray

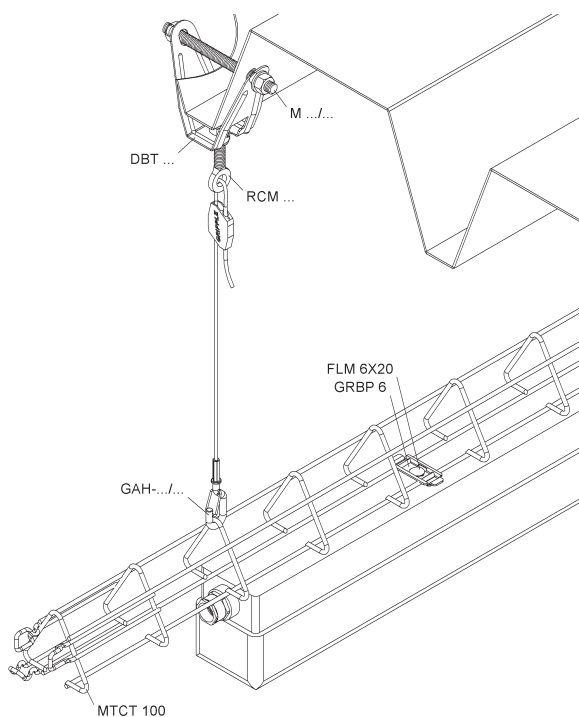
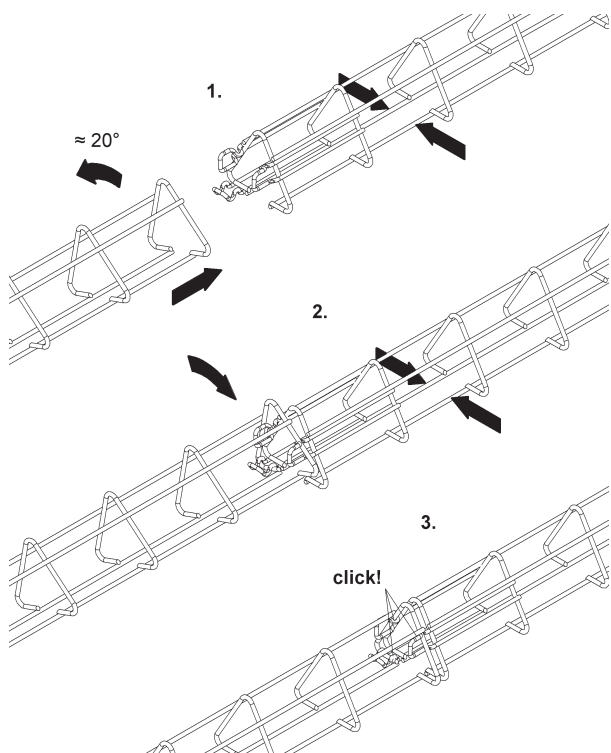
V-shaped, spot-welded from steel wires, with welded connector

Model No.	Height H outside	Width B outside	Steel wire-Ø lengthwise	Steel wire-Ø crosswise	EAN code	Weight in kg per 100 m	Smallest packaging unit
	mm	mm	mm	mm			
★ V MTCT 100 V	75	80	3,9	3,9	191024	59,32	3 m
★ F MTCT 100 F	75	80	3,9	3,9	191017	65,25	3 m
★ E3 MTCT 100 E3	75	80	3,9	3,9	190997	59,70	3 m



Advantages

- . formed as a trine with approximately three equal sides
- . quick and easy to assemble due to integrated connectors
- . the screw-in technique prevents the connection from loosening under load
- . ideally suited for luminaire suspension
- . optimal ventilation of the cables
- . the mesh construction reduces dust and dirt deposits



Wire Mesh Tray

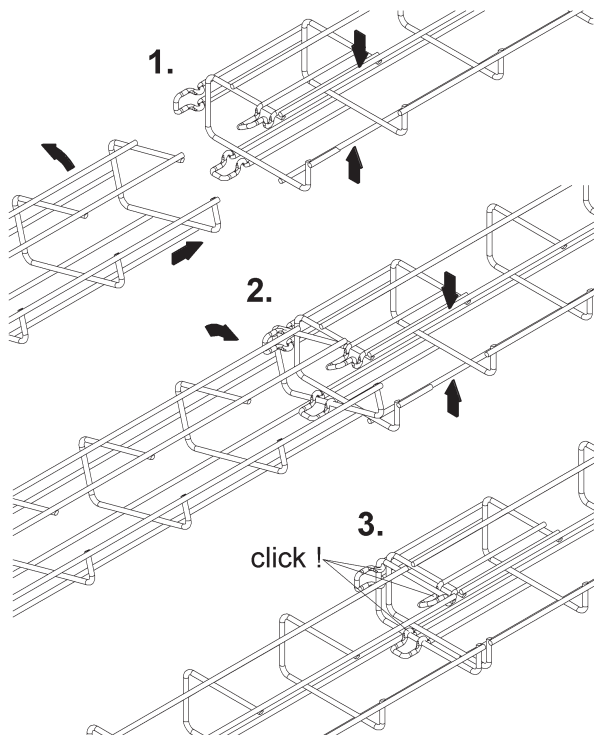
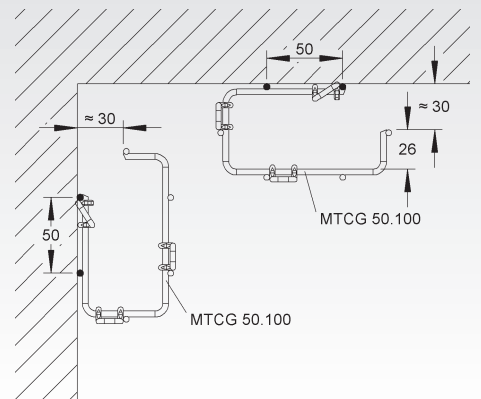
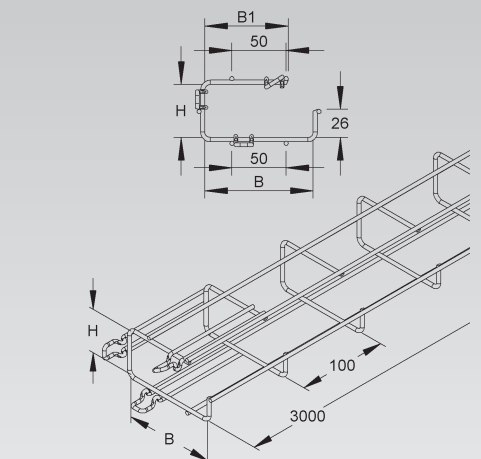
G-shaped, spot-welded from steel wires, with welded connector

	Model No.	Inside height H	Width inside B	Upper leg width B1	Steel wire-Ø lengthwise	Steel wire-Ø crosswise	EAN code	Weight in kg per 100 m	Smallest packaging unit
		mm	mm	mm	mm	mm			
★	V MTCG 50.100 V	49	100	77	3,9	3,9	191925	82,58	3 m
★	F MTCG 50.100 F	49	100	77	3,9	3,9	191918	90,84	3 m
★	E3 MTCG 50.100 E3	49	100	77	3,9	3,9	191895	83,11	3 m

Advantages

- .suitable for direct wall and ceiling mounting
- .quick and easy to assemble due to integrated connectors
- .enables cable entries and outlets without the need for threading
- .the G-shaped design prevents the cables from falling out
- .the mesh construction reduces dust and dirt deposits
- .optimal ventilation of the cables

50



WIRE MESH TRAY SYSTEM

Central Suspension

C-shaped

	Model No.	Height H	Length L	Upper support length L1	Bottom support length L2	Load capacity F1 at L2/2	Load capacity F2 at L2/2	Load capacity F3 at L1/2	EAN code	Weight in kg per 100 pcs.	Smallest packaging unit
		mm	mm	mm	mm	kN	kN	kN			
★	S ZC 100 S	240	151	133	110	0,9	1,5	1,5	192076	40,33	10 pcs.
★	S ZC 200 S	240	254	236	210	0,8	1,5	1,5	192083	76,53	10 pcs.
★	S ZC 300 S	280	365	308	310	0,5	1,5	1,5	192090	114,57	10 pcs.
★	S ZC 400 S	280	465	350	410	0,4	1,5	1,5	192113	171,40	10 pcs.

for ceiling mounting with threaded rod M10
for wall mounting

Used for: wire mesh trays with a wire Ø 3.9-6 mm and a central longitudinal wire distance of 50 mm and for cable trays

The load-bearing capacity data are only valid if there is sufficient anchoring to the load-bearing substrate.

Advantages

.three mounting alternatives:

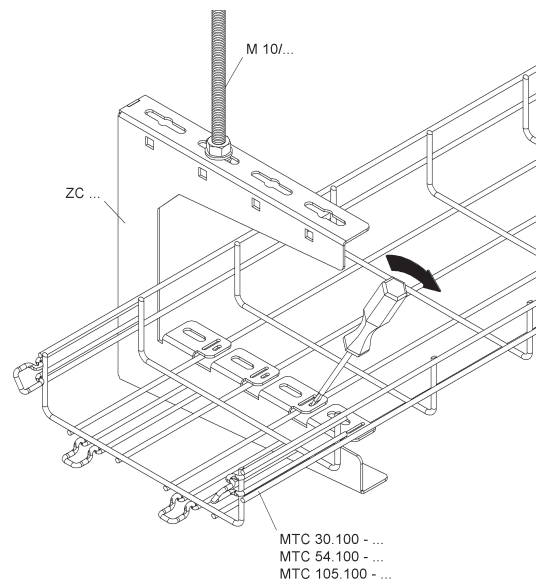
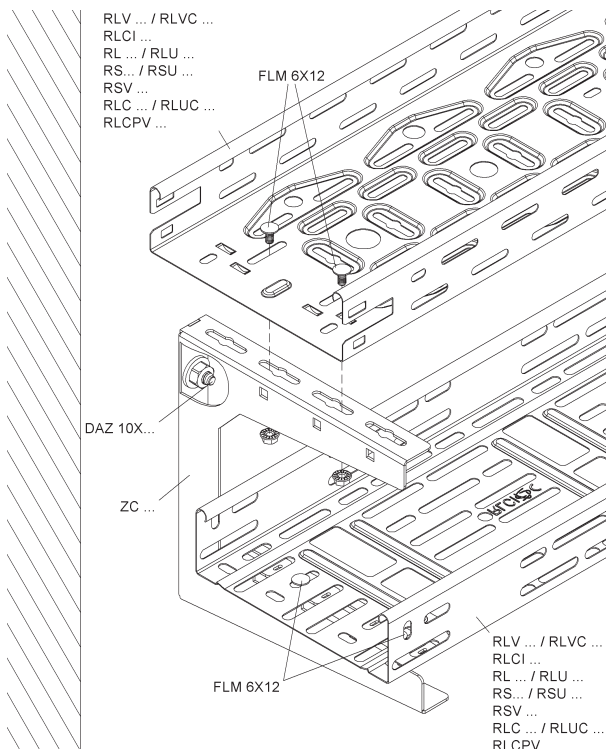
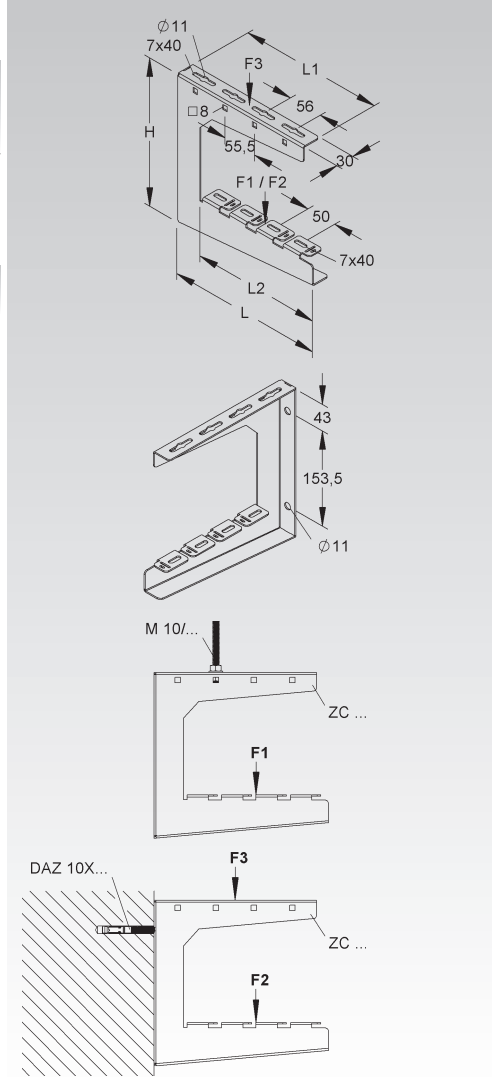
1. direct mounting on horizontal ceilings
2. ceiling suspension by means of threaded rod M 10/... or various cable constructions
3. wall mounting as double bracket

.reduces the installation time due to screwless wire mesh tray installation

.integrated securing straps serve to fix the wire mesh tray

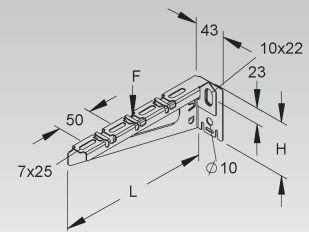
.interchangeability of the wire mesh tray is guaranteed at all times

.two perforated support surfaces supplement the screw-on possibilities for further accessories



Overhead Hanger- and Wall Bracket

	Model No.	Height H	Length L	Load capacity at L/2	EAN code	Weight in kg per 100 pcs.	Smallest packaging unit
		mm	mm	kN			
★	S KTAC 100 S	77	118	0,60	192144	13	1 pc.
★	S KTAC 150 S	77	168	0,60	192168	16	1 pc.
★	S KTAC 200 S	77	218	0,55	192175	18	1 pc.
★	S KTAC 300 S	107	318	1,00	192182	47	1 pc.
★	S KTAC 400 S	107	418	1,10	192199	54	1 pc.



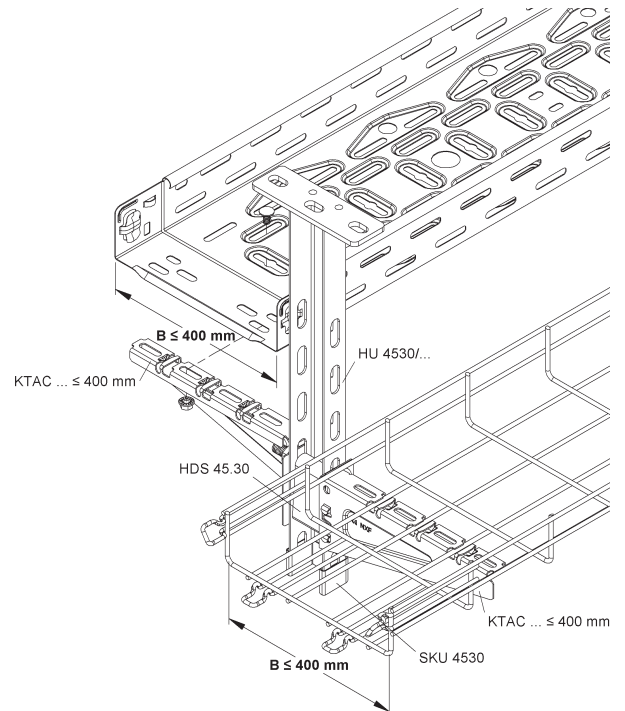
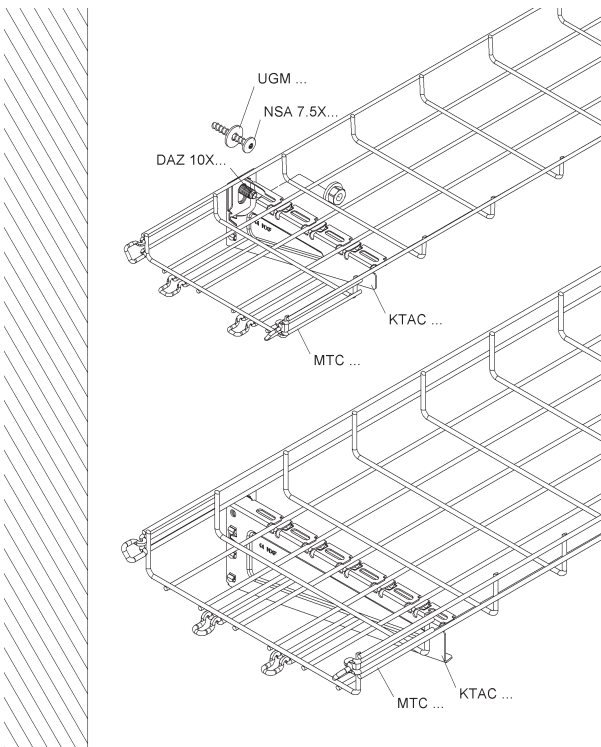
for wall installation and overhead hangers

Used for: wire mesh trays with a wire \varnothing 3.9 - 5 mm and a central longitudinal wire distance of 50 mm and for cable trays

The load-bearing capacity specifications apply only if sufficiently anchored to the load-bearing substrate or if mounted on suspended supports in accordance with the regulations.

Advantages

- . individual fastening alternatives:
 1. direct mounting on walls
 2. wall mounting on attached C-profiles
 3. wall and floor mounting on overhead hangers (single or double sided installation)
- . reduces the installation time due to screwless wire mesh tray installation
- . integrated bracket bridges serve to fix the wire mesh tray
- . interchangeability of the wire mesh tray is guaranteed at all times



WIRE MESH TRAY SYSTEM

Wire Mesh Tray Fastening Clip

screwless

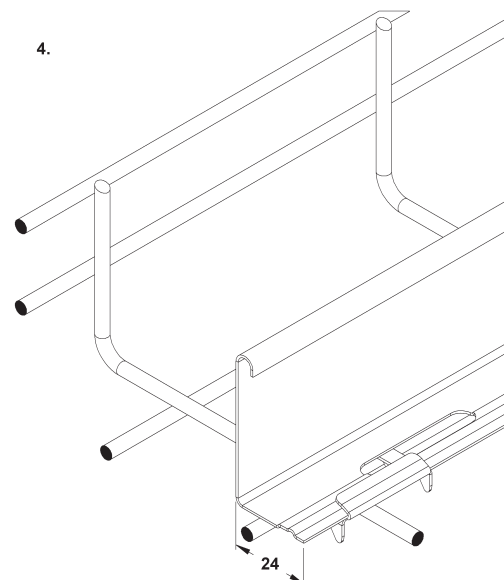
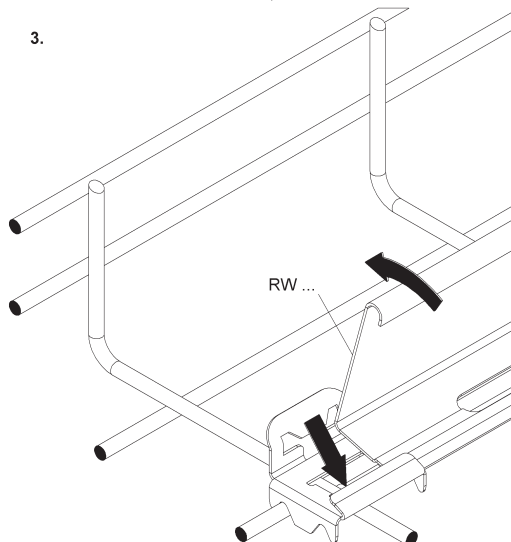
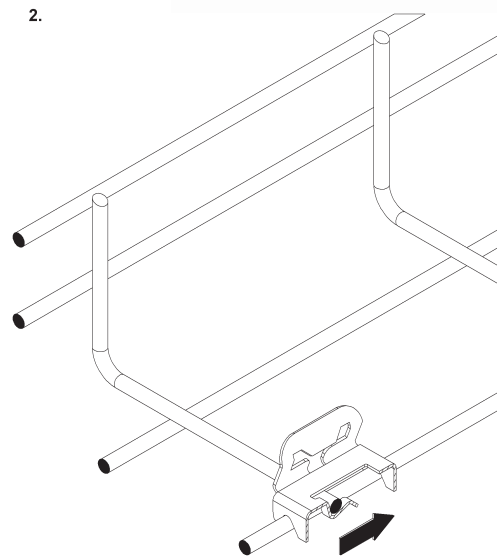
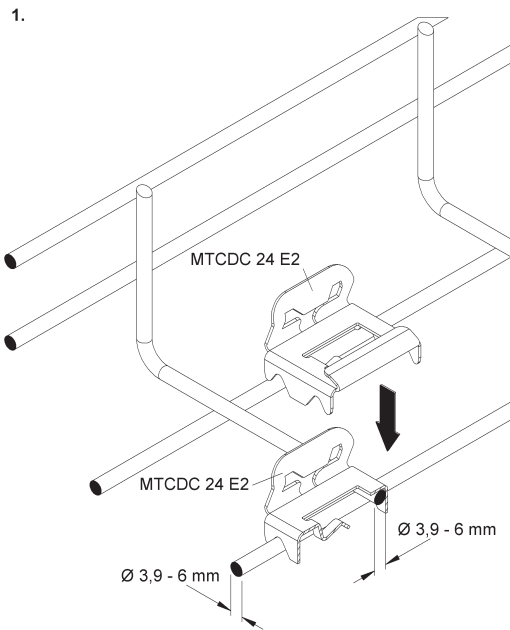
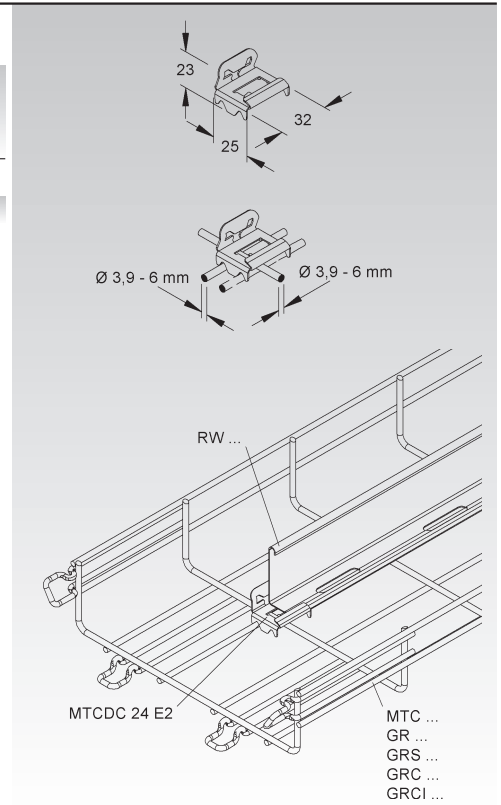
Model No.	Height H mm	Width B mm	Length L mm	Steel wire-Ø mm	EAN code	Weight in kg per 100 pcs.	Smallest packaging unit
★ E2 MTCDC 24 E2	23	25	32	3,9 - 6	191963	0,93	1 pc.

for screwless fastening of barrier strips with a width of 24 mm in wire mesh trays

Used for: wire mesh trays with a wire Ø 3.9-6 mm

Advantages

- .clip made of stainless spring steel is compatible with all standard Niedax product surfaces
- .can be used in the crossing area of longitudinal and cross wires of the wire mesh trays due to a constructive locking system - shortening of the installation time
- .clip construction enables two barrier strips positions, in alignment with the longitudinal wire and in the centre of the field
- .barrier strip through bottom leg in the clip's cross-contour lug
- .infinitely variable
- .permanently secure position of the barrier strip



Wire Mesh Tray Fastening Clip

pre-assembled, screwless

Model No.	Height H mm	Width B mm	Length L mm	Steel wire-Ø mm	EAN code	Weight in kg per 100 pcs.	Smallest packaging unit
E2 MTCSC 22 E2	16,5	63,5	32	3,9 - 6	191444	1,73	25 pcs.

for fixing wire mesh trays on C-profiles with 22 mm slot width as well as for C-profiles with a clear inner dimension of height ≥ 15 mm x width ≥ 36 mm

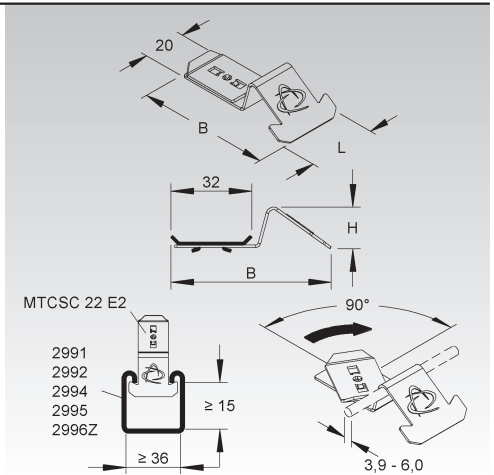
Used for: C-profiles 2991, 2992, 2994, 2995 and 2996Z with 22 mm slot width

The fastening clip is screwed into the slot of the C-profile so that both noses of the clip swing in under the bend of the C-profile.

The movable clip is pre-positioned by a 90° turn (transverse to the C-profile cross-section) around the longitudinal floor wire of the wire mesh tray to be installed.

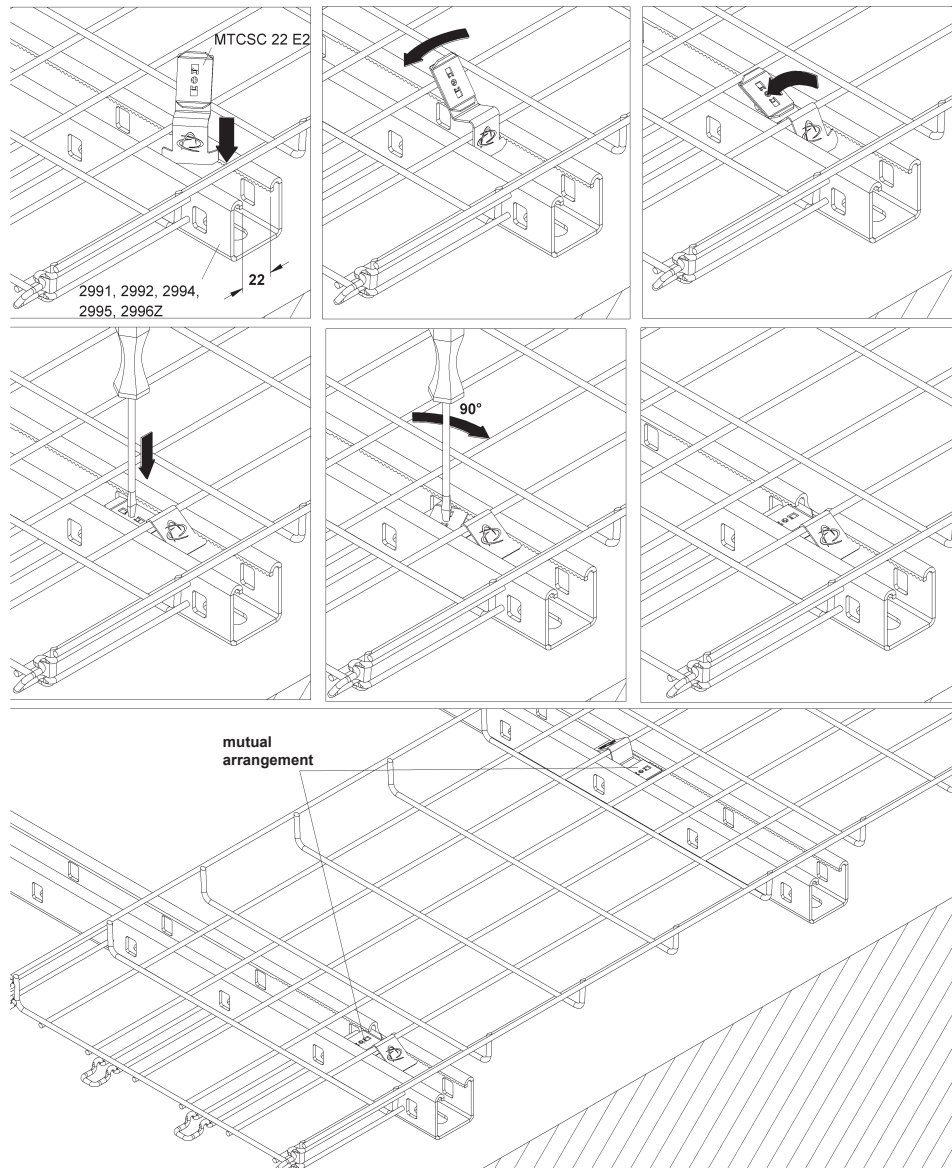
With the help of a screwdriver the clip is pressed down and fixed to the C-profile by means of a 90° turn below the bend.

A staggered arrangement of the fastening clips on the C-profiles ensures the secure fastening of the wire mesh trays.



Advantages

- .the wire mesh tray or the fastening clip can be moved effortlessly at any time
- .reduction of the installation time
- .permanently secure position of the fastening clip
- .clip made of stainless spring steel is compatible with all standard Niedax product surfaces



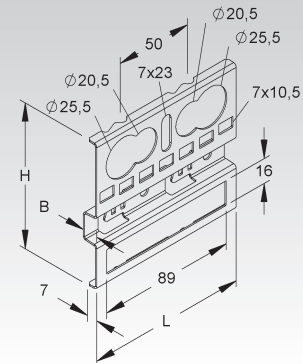
WIRE MESH TRAY SYSTEM

Universal Fastening Plate for Wire Mesh Trays

screwless



	Model No.	Height H mm	Width B mm	Length L mm	Steel wire-Ø mm	EAN code	Weight in kg per 100 pcs./	Smallest packaging unit
★	S MTCUP 100 S	94	10	104	3,9 - 6	191826	6,23	25 pcs.
★	E3 MTCUP 100 E3	94	10	104	3,9 - 6	191819	6,27	25 pcs.



for screwless floor mounting in wire mesh trays MTC... ≥ 100 mm width with at least two longitudinal wires with a central distance of 50 mm, e.g. for U-clamp installation and for barrier strip and cable tie fastening

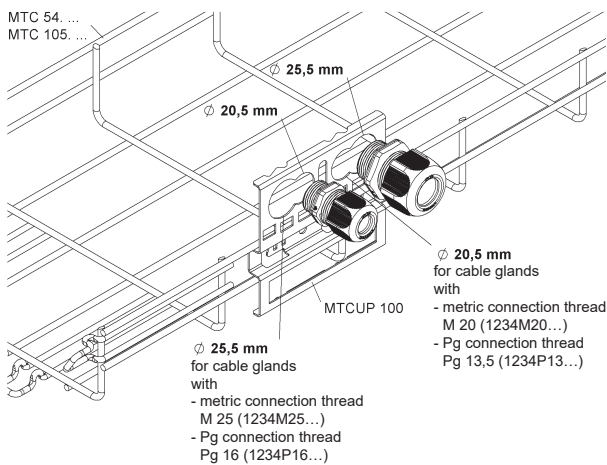
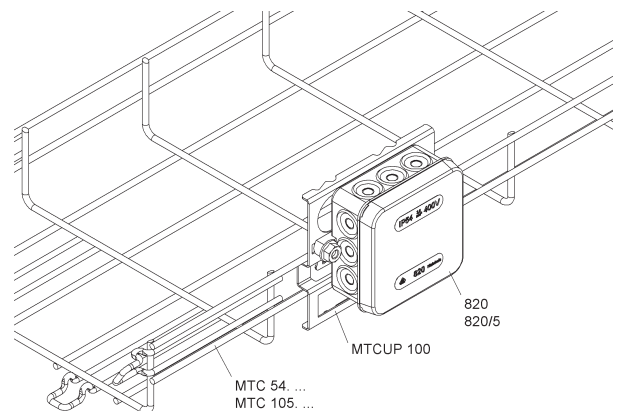
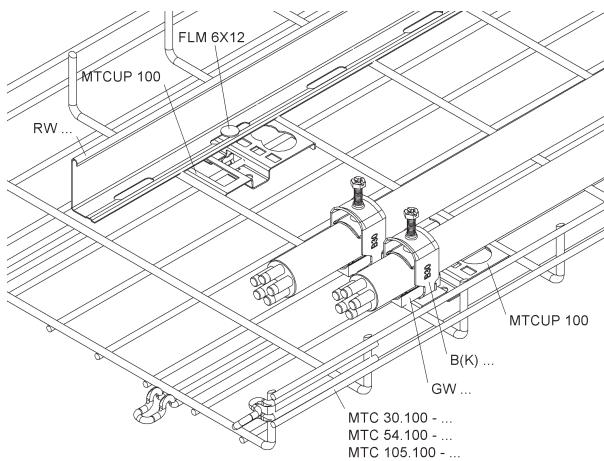
for lateral screwless mounting on wire mesh trays MTC... with at least two longitudinal wires at the sides with a central distance ≥ 25 mm e.g. for mounting distribution and junction boxes as well as cable glands

Used for: floor mounting wire mesh trays MTC... from width 100 mm
side mounting of wire mesh trays MTC 54... and MTC 105...

The lug can be turned down with a screwdriver to prevent it from being levered out.

Advantages

- .flexible and screwless mounting by the customer for installation and/or mounting in/on wire mesh trays
- .self-locking and captive by means of securing lugs, which also provide protection against slipping
- .individual applications
 1. for floor mounting of barrier strips as well as for fastening cables with cable ties and U-clamps
 2. for lateral installation of junction and distribution boxes and various cable glands



NIEDAX GENERAL TERMS OF SALE AND DELIVERY

I. GENERAL PROVISIONS

1. The following terms of sale and delivery are valid for every contract entered into by the Buyer and Niedax regarding delivered goods. They are valid for all future businesses even if they have not been expressly agreed upon again. Deviating purchasing terms of the buyer which are not expressly accepted by us, are not valid for Niedax. That applies also if Niedax has not expressly rejected them. The following terms are valid also if Niedax has executed the Buyer's order without objections while knowing of his adverse or different purchase terms. Sales to private, i.e. non-business customers are not made.
2. All agreements between the Buyer and Niedax regarding the execution of the sales contracts are contained by writing in the contracts.
3. If particular provisions are legally invalid, the whole contract shall remain validity regarding in the remaining parts, except for those cases where adherence to the contract would be unacceptable for at least one contractual party.

II. PRICES AND TERMS OF PAYMENT

1. The prices indicated are net, ex works, excluding packing, the respective VAT if applicable has to be added on top.
2. Prices apply without packing costs for orders up to Euro 600 net (not including VAT). In the case of orders greater than Euro 600 net (not including VAT), we deliver free of charge to the next goods station, including packing, for sealed collection in one consignment. Haulage at the place of reception is at the expense of the customer.
3. An additional charge of Euro 10 net (not including VAT) per order is levied on minimum orders of a value of less than Euro 100 net (small orders, not including VAT). The minimum-sized packing or packing drums are made to suit requirement and are only sold in complete packing units. A surcharge of Euro 5 net (not including VAT) to cover expenses is levied per unit (packing or packing drum) for orders that deviate from the standard packing unit sizes.
4. Delivery in parts is permitted if economically reasonable for the Buyer.
5. If deliveries are to be made to construction sites, the costs for freight / transportation will be advanced by Niedax und will be invoiced to the Buyer if no freight-free delivery is applicable or had been agreed.
6. If not otherwise agreed, all payments have to be made at the latest 10 days after invoicing to allow a three per cent discount, 30 days after invoicing to allow a two per cent discount and 45 days after invoicing net without deductions. This assumes that our invoice has not been dispatched before delivery of the goods; if that may be the case as an exception, the periods for payment shall be calculated on the day of delivery.
7. If the Buyer fails to fulfil his obligations to pay, e.g. does not honour a cheque or a bill payable or ceases his payments, or when circumstances become known that put his creditworthiness into question, then the entire residual debt shall become due, even if invoices exist that have a later maturity date or other agreements have been made regarding extension of the term of payment. In this case we shall not be obliged to make further deliveries unless the customer offers advanced payment before delivery. In the event that the customer does not offer cash payment, then we shall be entitled to claim damages for non-performance.
8. The Buyer can only set off against claims which are undisputed, accepted or legally ascertained.

III. DELIVERY TIMES, DELAY

1. Compliance with set periods for deliveries presupposes the punctual submission of all the necessary documents and other obligations that are to be supplied by the ordering party. If these preconditions are not promptly satisfied, then the periods of time shall be increased accordingly; this shall not apply if Niedax is responsible for the delay.
2. In case Niedax delays performance, the ordering party shall be entitled to demand damages limited to the foreseeable, typically occurring damage, except if the delay results from a deliberate or grossly negligent breach of contract or in case of fatal or bodily injury or injury to health, with Niedax having to take responsibility for respective acts committed by representatives and agents.
3. If the Buyer can prove damages resulting from the delay in delivery, he is entitled to claim compensation of 0.3 % for each full week of delay, but not more than a total of 15 % of the price of the amount of delivery that could not be put to appropriate use because of the delay.
4. In case the dispatch or delivery are delayed at the request of the ordering party by more than a month after notification of readiness to deliver, it shall be possible to invoice the ordering party for storage for each month commenced at a rate of 0.5 %, but not more than a total of 5 %, of the price of the objects to be delivered. The contract parties remain free to prove higher or lower storage costs.
5. If the delivery times are not observed as a consequence of force majeure, e.g., mobilization, war, insurrection, or similar events like strikes or lock-outs, then the periods of time shall be extended accordingly.

IV. PASSING OF RISK, RECEIPT, TAKING BACK

1. The risk, including for carriage paid delivery, is passed to the ordering party as follows:
 - a) In the case of deliveries without mounting or installation, when they are handed over to the transport agent or to the ordering party in case of collection by themselves. At the request and expense of the ordering party deliveries will be insured by Niedax against the usual transport risks;
 - b) In case of deliveries including mounting or installation the passing of risk is on the day of acceptance within the ordering party's premises, or, if agreed, after a faultless test operation.
2. If the ordering party is responsible for delays in dispatch, delivery, the commencement or execution of the mounting or installation, acceptance at the ordering party's premises or the trial operation, or if the ordering party delays acceptance for any other reason, then the risk shall be transferred to the ordering party.
3. The ordering party may not refuse to accept deliveries for the reason of slight defects.
4. Returns of goods have to be coordinated with the concerned person dealing with the case. Articles which are especially produced and not fit for warehousing are exempt from taking back.

V. RETENTION OF TITLE

1. The delivered goods shall remain our property until all our claims arising from the business relationship have been settled. The delivered goods may only be sold in the due course of business either for cash payment or by transferring our reservation of ownership to the buyer. They may not be pledged nor assigned nor transferred by the customer.
2. The Buyer may sell or utilize the goods subject to retention of title for proper business purposes, unless he is in delay of payment. The customer herewith assigns to us all his future claims from release of the reserved goods. This assignment shall apply both for the full value and for the partial value corresponding to our coownership share of the goods sold. The assignment shall remain valid until all our claims have been paid in full. We hereby accept this assignment. The thus originated sole or partial ownership will be kept by the Buyer on our behalf.
3. We authorize the Buyer revocably to collect payments regarding the assigned claims - as long as he continues to fulfil his obligations towards us and does not become bankrupt. The sums received shall be transferred to us immediately when our claims are due. This authorization can be revoked anytime if the Buyer does not adhere to his payment obligations. The Buyer is not entitled to assign the claims to other parties, e.g. in a system of debt collection by factoring, except if at the same time the factor accepts the obligation to pay the consideration directly to us as long as claims by us exist against the Buyer.
4. If the goods are combined or merged with other items, we gain co-ownership regarding the new item, corresponding to the value of our reserved goods in relation to the value of the other goods at the time of processing. If the goods subject to retention of title are processed by the customer, each processing takes place for us.
5. In the case of neglect of duty by the Buyer, esp. delay of payment, we are entitled to the retraction of the goods subject to retention of title as well as to the withdrawal from the affected deal. The performance of retraction or of claiming the retention of the goods only means a withdrawal if we declare it expressly to be.
6. The customer shall immediately inform us of any third-party judicial enforcement measures against the reserved goods or claims assigned to us in advance. Such information must be accompanied by the documentation required for intervention.

NIEDAX GENERAL TERMS OF SALE AND DELIVERY

VI. WARRANTY FOR MATERIAL DEFECTS AND LIABILITY

1. Claims for defects can only be made if the Buyer adhered to his obligation under § 377 HGB to properly examine and if necessary notify Niedax of defects.
2. In case of a defect, the Buyer has to give Niedax the opportunity for supplementary performance within reasonable time. The supplementary performance is deemed failed after unsuccessful attempts, if not more attempts are appropriate and just and reasonable for the buyer, regarding the contractual item. If the supplementary performance has failed, the Buyer is entitled – notwithstanding possible claims regarding damages – to withdraw from the contract or to reduce the remuneration. Damages resulting from defects cannot be claimed before the supplementary performance has been attempted twice (at least) unsuccessfully, except regarding damages under Clause VIII.
3. Claims on the part of the Buyer for expenses necessary for the purpose of remedying defects, will be borne by Niedax assumed that they are necessary and are not increased because the object of delivery has afterwards been taken to a place other than the premises of the ordering party, unless such movement complies with its use in accordance with the regulations.
4. Claims for only minor deviation from the agreed quality cannot be accepted. We must therefore reject claims for only minor impairment to fitness for use, or for natural wear and tear, or for damage arising after the transfer of risk as a result of faulty or negligent handling, excessive stress, unsuitable operating materials, defective building works, unsuitable building ground, or occurring as a result of other external influences that have not been presumed according to the contract. In case the ordering party or a third party carries out inexpert repairs or changes, there no right for claims will be granted by Niedax for defects caused by these works or the consequences of them.
5. We are liable according to the law for damages to life, body and health that result from an intentional or negligent neglect of duty committed by us, our representatives or agents, as well as for damages that are fall within product liability laws. We are liable for damages not included in the first sentence which result from intentional or grossly negligent breaches of contract as well as in case of fraudulent concealment of a defect committed by us, our representatives or agents, following the legal provisions. In those last mentioned cases however our liability is limited to the foreseeable, typically occurring damage, except when we or our representatives or agents have acted intentionally.
6. We are liable for damages that are caused by us by slight negligent neglect of contractual obligations whose fulfillment is indispensable for the contractual performance and in whose compliance the Buyer fundamentally and justifiably trusts (fundamental contractual obligations). Our liability is however limited to damages that are typically related to the contract and foreseeable.
7. In accordance with § 478 BGB (Rückgriff des Unternehmers [Contractor's Recourse, § 478 BGB]), the ordering party's rights of recourse against Niedax only exist in so far as the ordering party has made no agreements with its supplier that extend beyond the legal claims for defects.
8. Claims for material defects are subject to a limitation period of 12 months. This restriction shall not apply in so far as the law prescribes longer periods in accordance with §§ 438, Par. 1 No. 2 (Bauwerke und Sachen für Bauwerke [Buildings and Items for Building]), 479 Par. 1 (Rückgriffsanspruch [Right of Recourse]) and 634a Par. 1 No. 2 (Baumängel [Building Defects]) of the BGB [German Civil Code], and in cases of injury to life, health or bodily injury, in case of an intentional or gross carelessness on the part of Niedax, and in case of fraudulent concealment of a defect.

VII. IMPOSSIBILITY; ADAPTATION OF CONTRACTS

1. If delivery is impossible, the ordering party shall be entitled to demand compensation, unless Niedax is not responsible for the impossibility. The claim for damages on the part of the ordering party is, however, limited to 15 % of the value of that part of the delivery that cannot be put into appropriate operation due to the impossibility of delivery. This limitation shall not apply in so far as there is absolute liability in cases of intent or gross negligence or in the event of fatal or bodily injury or injury to health; this is not associated with any change in the burden of proof to the disadvantage of the ordering party. The right of the ordering party to withdraw from the contract remains unaffected.
2. If unforeseeable events in the sense of Item III No. 5 significantly change the economic importance or content of the delivery or have a significant effect on the working activities of Niedax, the contract shall be reasonably adapted respecting good faith. If this is not economically justifiable, Niedax shall have the right to withdraw from the contract. If he wishes to avail himself of this right to withdraw from the contract, then he shall undertake to inform the ordering party of the fact immediately, having determined the extent and consequences of the event; this shall also apply if an extension of the delivery time has first been agreed with the ordering party.

VIII. FURTHER CLAIMS TO DAMAGES

1. Claims to damages and expenses by the Buyer (hereafter: damages), whatsoever the legal reason, especially resulting from a neglect of contractual obligations or from an unlawful act, are excluded.
2. The aforesaid exclusion is not valid insofar as there is mandatory liability by law, e.g. under product liability law, in cases of intentional or grossly negligent acts, damages to life, body and health and neglect of fundamental contractual obligations. Our liability regarding the neglect of fundamental contractual obligations is however limited to damages typically related to the contract and foreseeable, except with intentional or gross negligence and with damages to life, injuries, impacts on health. This is not associated with any change in the burden of proof to the disadvantage of the ordering party.
3. The Buyer's claims to damages mentioned here in Art. VIII expire after the end of the limitation period according material defects under Article VI paragraph 8. In case of titles to claim according to the Product Liability Act the legal rules regarding the limitation period will apply.
4. The 12 months limitation period also applies to measures to remedy the damages, especially to product recalls.

IX. PLACE OF PERFORMANCE, OF JURISDICTION AND APPLICABLE LAW

1. Place of performance of deliveries and payments is Linz/Rhine. The sole place of jurisdiction for all disputes arising directly or indirectly out of sales contracts between Niedax and the Buyer (including action on a dishonored cheque or bill payable) shall be governed by the place of performance, too. Niedax shall, however, also be entitled to bring an action at the domicile of the ordering party.
2. The legal relationships between the contractual parties shall be governed exclusively by German substantive law, to the exclusion of the United Nations Convention on Contracts for the International Sale of Goods (CISG).

X. SETTLEMENT OF CONSUMER CLAIMS

Companies of NIEDAX GROUP do not enter into contractual relationships with consumers in accordance to § 310 fig. 3 BGB as our products are exclusively delivered to authorized distributors and commercial customers.

For this reason we are not participating in any settlement procedure for claims from consumers in any Consumer Arbitration Centre. However, in accordance to the German law on alternative settlements of consumer claims we are obliged to inform about the relevant authority for settlement of consumer claims (Consumer Arbitration Centre):

Allgemeine Verbraucherschlichtungsstelle des Zentrums für Schlichtung e.V.
Straßburger Str. 8
77694 Kehl
Internet: www.verbraucher-schlichter.de

As of 03/2017

Niedax GmbH & Co. KG . Asbacher Str. 141 . D-53545 Linz/Rhine e.g. Postfach (Post Office Box) 1286 . 53541 Linz/Rhine . Phone +49 (0) 2644 5606 - 0 . Fax - 13



Australia

Niedax Australia Pty. Ltd.
Level 28, 1 Market Street
Sydney, NSW 2000
info@niedax.com.au . www.niedax.com.au

Brazil

MOPA Indústria e Comércio Ltda.
Juscelino Kubitschek de Oliveira Nr. 3410
CEP 07252-000 Guarulhos, Sao Paulo
Tel: +55 11 2413 1099
eletro@mopa.com.br . www.mopa.com.br

Chile

Chile Niedax Chile SpA
Américo Vespucio Norte 1385 - módulo 37
Quilicura, Santiago
Tel: +56 232 627656
cristian.robson@niedax.cl . www.niedax.cl

Estonia

Poweram Elektriseadmed OÜ
Akadeemia tee 33, 12618 Tallinn, Estonia
Tel: +372 672 6833 . Fax: +372 672 6831
info@poweram.ee . www.poweram.ee

Hungary

Niedax Kereskedelmi Kft.
Budafoki út 10.
H-2030 Érd
Tel: +36 23521300 . Fax: +36 23390489
info@niedax.hu . www.niedax.hu

Israel

Erco LTD
41 Hayozma St. P.O Box 12045
Ashdod 77000
Tel: +972 732 020 002 . Fax: +972 732 020 001
amir@erco.co.il . www.erco.co.il

Korea

Hansung System
RM # 301 Nexvill, 1301-2, Baekseok-Dong, Ilsan-
dong-Gu, Goyang-Si, Kyunggi-Do, Korea, 410-817
Tel: +82 10 7310 3459
hantradg@naver.com . www.niedax-korea.com

Luxembourg

Minusines S.A.
B.P. 2212; 8, rue Hogenberg
L-1022 Luxembourg-Gasperich
Tel: +352 495858 . Fax: +352 495866
info@minusines.lu . www.minusines.lu

Norway/Sweden

BVS-Niedax Norge AS
Skårersletta 50
N-1473 Lørenskog
Tel: +47 64838989
info@niedax.no . www.niedax.no

Portugal

Niedax Portugal
Comércio de materiais eléctricos, unipessoal LDA.
Parque Industrial Meramar II, armazém 5, Avenida
de Santa Isabel, Cabra Figa, 2635 047 Rio de Mouro
Tel: +351 962808072 . geral@niedax.pt

Singapore

Niedax Asia Pacific Pte. Ltd.
4 Battery Road, Bank of China Building # 25-01
Singapore 049908
cynthya.lee@niedax.com.sg
www.niedax.com.sg

Spain

Niedax-Kleinhuis Ibérica S.L.U.
C/Italia 5 y 7
E-28971 Grinón (Madrid)
Tel: +34 918103197 . Fax: +34 918103889
niedax.iberica@niedax.com . www.niedax.es

USA

Niedax Inc.
2970 Charter Street
Columbus, OH 43228 USA
Tel: +1 6149218469 . Fax: +1 6149218676
sales@niedaxusa.com . www.niedaxusa.com

Austria

Niedax Kabelverlege-Systeme GmbH
Resselstraße 10
A-2120 Walkersdorf
Tel: +43 2245901100 . ax: +43 22459011020
office@niedax.at . www.niedax.at

Brunei

Joffren Omar Company Sendirian Berhad
Head Office Seria Lot 49-51
Sg. Bera Light Industrial Area Seria
KB1933, Negara Brunei Darussalam
Tel: +673 3223 863 . Fax: +673 3223 309

China

Shanghai Huanye Electronics Co., Ltd.
Room 1616, North Building No.1839 Qixin Road
Shanghai, China, 201100
Tel: +86 21 54130175 803 . Fax: +86 21 34675929
sales@huanyechina.com . www.huanyechina.com

France

Niedax France
Parc d'Activités Washington
Av. de la ferme du Roy, FR-62404 Béthune Cedex
Tel: +33 321 64 75 75 . Fax: +33 321 64 75 76
info@niedax.fr . www.niedax.fr

India

Niedax Cable Management Systems Pvt. Ltd.
1007, Prestige Meridian I, 29 Mahatma Gandhi Road
Bangalore - 560 001
info@niedax.co.in . www.niedax.co.in

Italy

Femi-CZ S.p.A.
Viale del Lavoro, 16
45100 Rovigo
Tel: +39 0425 470711 . Fax: +39 0425 475445
femicz@femicz.it . www.femicz.it

Latvia

AS ERNERGOFIRMA JAUDA
Krustpils street 119
LV-1057 Riga, LATVIA
Tel: +37 67725789 . Fax: +37 67725770
info@jauda.com . www.jauda.com

Mexico

Niedax de Mexico S.A. de C.V.
Calle San Bernardo 9A
Colonia Sanctorum Cuautlancingo Puebla
Mexico C.P. 72730
Tel: +52.222.485.0586 & 485.0588
Fax: +52.222.485.0414 . salesmex@niedax.com

Pakistan

Industrial Supplies & Engineering Associates
PO BOX 8103 Baghbanpura Lahore-9,
P.O. Code: 54920
Tel: +92 3444465812
isea_global@yahoo.com . isea.global1@gmail.com

Romania

Niedax Romania s.r.l.
Soseaua de Centura 2, Corp 4, Depozitul C2
RO-077175 Ștefănești de Jos, Ilfov
Tel: +40 216680280 . Fax: +40 216680280
office@niedax.ro . www.niedax.ro

Slovak Republic

Niedax Slovakia s.r.o.
Pestovateľská 6
SK-82104 Bratislava
Tel: +421 244630934 . Fax: +421 244630935
niedax@niedax.sk . www.niedax.sk

Switzerland

Niedax EBO Schweiz AG
Wehreyering 21 Postfach
CH-3930 Visp
Tel: +41 279456868 . Fax: +41 279456869
info@niedax.ch . www.niedax.ch

Vietnam

Niedax Asia Pacific Pte. Ltd
Ho Chi Minh City
nam.dang@niedax.com

Belgium

Niedax-Kleinhuis N.V.
Tulpenstraat 2
B-9810 Eke/Nazareth
Tel: +32 92200790 . Fax: +32 92200791
info@niedax.be . www.niedax.be

Bulgaria

Niedax Bulgaria
Filip-Kutev-Str. 137
BG-1407 Sofia
Tel: +359 29624574 . Fax: +359 29624504
office@niedax.bg . www.niedax.bg

Czech Republic

Niedax-Kleinhuis s.r.o.
Palackeho 701
CZ-27746 Veltřusy
Tel: +42 0315781116 . Fax: +42 0315781118
office@niedax.cz . www.niedax.cz

GCC-States

Niedax Middle East FZE
P.O. Box 262461
FZS2AC08, Jebel Ali, UAE-Dubai
Tel: +9714 880 7970 . Fax: +9714 880 7972
ibrahima@ebo-systems.com . www.niedax-group.com

Ireland/UK

Niedax CMS Ltd.
Clash Industrial Estate
IRL-Tralee, Co. Kerry, Ireland
Tel: +353 667128701 . Fax: +353 667180301
matt@niedax.ie . www.niedax.ie

Kanada

Niedax Kanada
Bureau 216 du 3221 Autoroute 440 Ouest
Laval, Québec, H7P 5P2, Canada
Tel: +1 514 7091603
fmichel@niedax.ca

Lithuania

JSC „Swelbalt“
Sudmantu kaimas
92498 Klaipėdos rajonas
Tel: +370-46-300 100 . Fax: +370-46-300 101
info@swelbalt.lt . www.swelbalt.lt

Netherlands

Niedax-Kleinhuis B.V.
Bijsterhuizen 20-05A
NL-6604 LH Wijchen
Tel: +31 243788533 . Fax: +31 243788390
info@niedax.nl . www.niedax.nl

Poland

Niedax-Kleinhuis Polska Sp.zo.o.
ul. Zagórska 133
PL-42-680 Tarnowskie Góry
Tel: +48 323819810 . Fax: +48 323843956
info@niedax.pl . www.niedax.pl

Russia

Niedax LLC
Leningradsky Prospekt 76/4
125315 Moskau
Tel: +7 495 249 45 88
russia@niedax.ru . www.niedax-group.ru

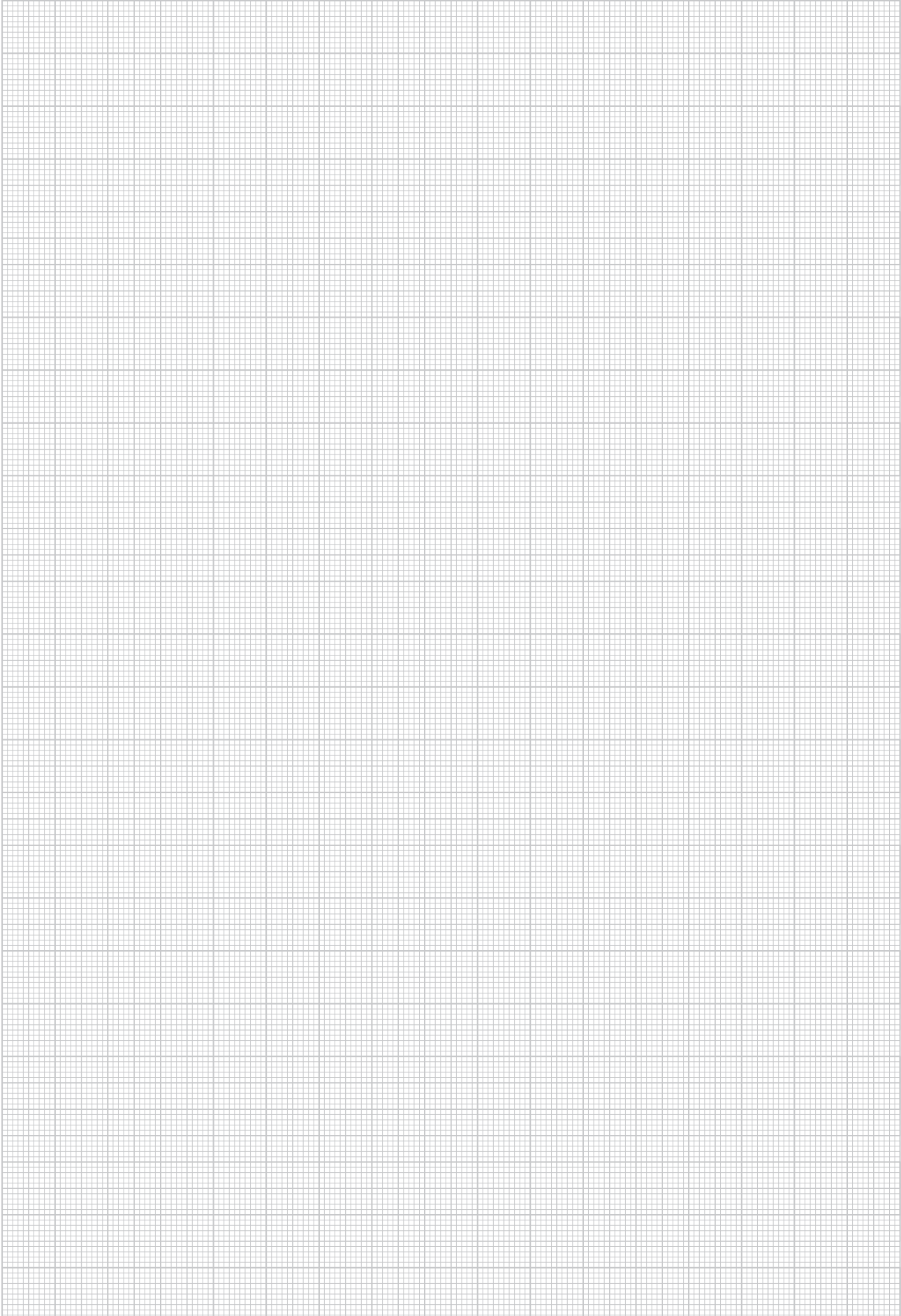
Slovenia

Kabeltrade d.d.o.
Latkova vas 83B, 3312 Prebold
Tel: +386 3 620 24 62
kabeltrade@kabeltrade.si
www.kabeltrade.si

Thailand

Niedax (Thailand) Ltd.
62/10 M6, T Samnaktorn, A. Ban Chang
Rayong 21130 Thailand
Tel: +66 (33) 679 899 . Fax: +66 (33) 679 891
info@niedax.co.th

NOTES





Niedax GmbH & Co. KG
Asbacher Straße 141
D-53545 Linz/Rhein

Postfach 1286
D-53541 Linz/Rhein

Tel: +49 (0) 2644/5606-0
Fax: +49 (0) 2644/5606-13

info@niedax.de
www.niedax.de